



Product Catalogue

Deep Groove Ball Bearings
Water Pump Bearing
Wheel Hub bearing



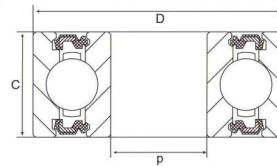
**Vankv Wuxi Mechanical
Equipment Co., LTD.**

DEEP GROOVE BALL BEARING SERIES



Deep groove ball bearings have a wide range of applications. Both the inner and outer rings have arc-shaped raceways, allowing them to withstand radial loads, a certain amount of two-way axial loads, and synthetic loads for high-speed rotation. These bearings come in different structures such as open, single/double shielded, single/double sealed, or with snap ring, etc.

16000 SERIES DEEP GROOVE BALL BEARING

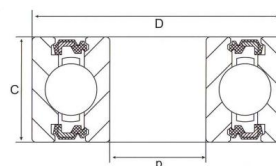


Bearing Number	Dimension (mm)				Steel Balls		Load (KN)		Max Rotation Speed (r/min)		Weight (Kg)
	d	D	B	r	Size	Amount	Cr(N)	Cor(N)	Grease	Oil	
16005	25	47	8	0.3	5.556	12	8.8	5.6	13000	17000	0.06
16010	50	80	10	1	7.144	16	16.1	13.1	8000	9500	0.166
16011	55	90	11	1	7.938	16	19.4	16.2	7000	8500	0.207
16012	60	95	11	1	7.938	17	19.9	17.5	6300	7500	0.224
16013	65	100	11	1	7.938	18	20.5	18.6	6000	7000	0.241
16014	70	110	13	1	9.525	17	27.9	25	5600	6700	0.386
16015	75	115	13	1	9.525	18	28.7	26.8	5300	6300	0.411
16016	80	125	14	1.2	10.319	18	33.1	31.4	5000	6000	0.539
16017	85	130	14	1.2	10.319	19	34	33.3	4500	5600	0.668
16018	90	140	16	1.2	11.906	17	41.5	39.3	4300	5300	0.671
16019	95	145	16	1.5	11.906	18	42.7	41.9	4000	5000	0.71
16020	100	150	16	1.5	11.906	19	43.8	44.3	3800	4800	0.74
16021	105	160	18	1.5	13.494	17	51.8	50.6	3600	4500	1
16024	120	180	19	1.5	14.288	18	58.8	60.4	3000	3800	1.374
16026	130	200	22	2	17.462	16	79.7	79.2	2800	3600	1.868
16028	140	210	22	2	17.462	17	82.1	85	2400	3200	2
16030	150	225	24	2	18.256	18	91.9	98.5	2200	3000	2.638
16032	160	240	25	2	19.05	18	98.7	107	2000	2800	2.835

DEEP GROOVE BALL BEARING SERIES



6000 SERIES DEEP GROOVE BALL BEARING

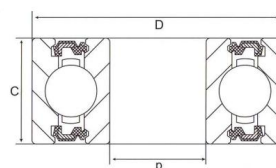


Bearing Number	Dimension (mm)				Steel Balls		Load (KN)		Max Rotation Speed (r/min)		Weight (Kg)
	d	D	B	r	Size	Amount	Cr(N)	Cor(N)	Grease	Oil	
6001	12	28	8	0.3	4.762	8	5.1	2.38	20000	26000	0.022
6002	15	32	9	0.3	4.762	9	5.58	2.85	19000	24000	0.031
6003	17	35	10	0.3	4.762	10	6	3.25	17000	21000	0.04
6004	20	42	12	0.6	6.35	9	9.38	5.02	16000	19000	0.068
6005	25	47	12	0.6	6.35	10	10	5.85	13000	17000	0.078
6006	30	55	13	1	7.144	11	13.2	8.3	11000	14000	0.113
6007	35	62	14	1	8	11	16.2	10.5	9500	12000	0.14
6008	40	68	15	1	8	12	17	11.8	9000	11000	0.182
6009	45	75	16	1	9	12	21	14.8	8000	10000	0.229
6010	50	80	16	1	9	13	22	16.2	7000	9000	0.249
6011	55	90	18	1.1	11	12	30.2	21.8	7000	8500	0.374
6012	60	95	18	1.1	11	13	31.5	24.2	6300	7500	0.38
6013	65	100	18	1.1	11.1125	13	32	24.8	6000	7000	0.43
6014	70	110	20	1.1	12	13	38.5	30.5	5000	6700	0.586
6015	75	115	20	1.1	12	14	40.2	33.2	5300	6300	0.603
6016	80	125	22	1.1	13.494	14	47.5	39.8	5000	6000	0.821
6017	85	130	22	1.1	13.494	14	50.8	42.8	4500	5600	0.848
6018	90	140	24	1.5	15.081	14	58	49.8	4300	5300	1.1
6019	95	145	24	1.5	15.081	14	57.8	50	4000	5000	1.15
6020	100	150	24	1.5	15.081	15	64.5	56.2	3800	4800	1.18
6021	105	160	26	2	17	14	71.8	63.2	3600	4500	1.52
6022	110	170	28	2	18.256	14	81.8	72.8	3400	4300	1.89
6024	120	180	28	2	19	14	87.5	79.2	3000	3800	1.99
6026	130	200	33	2	21	14	105	96.8	2800	3600	3.08
6028	140	210	33	2	22.225	14	116	108	2400	3200	3.17
6030	150	225	35	2.1	23.812	14	132	125	2200	3000	3.9
6032	160	240	38	2.1	25	14	145	138	2000	2800	4.83
6034	170	260	42	2.1	28	14	170	170	1900	2400	6.5
6036	180	280	46	2.1	30.162	14	188	198	1800	2200	8.51
6038	190	290	46	2.1	30.162	14	188	200	1700	2200	8.865
6040	200	280	51	2.1	32	14	205	225	1600	2000	11.64

DEEP GROOVE BALL BEARING SERIES



6200 SERIES DEEP GROOVE BALL BEARING

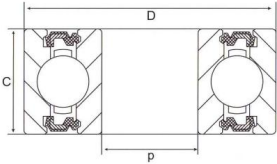


Bearing Number	Dimension (mm)				Steel Balls		Load (KN)		Max Rotation Speed (r/min)		Weight (Kg)
	d	D	B	r	Size	Amount	Cr(N)	Cor(N)	Grease	Oil	
6200	10	30	9	0.6	4.762	8	5.1	2.38	20000	26000	0.032
6201	12	32	1	0.6	5.953	7	6.82	3.05	19000	24000	0.035
6202	15	35	11	0.3	5.953	8	7.65	3.72	18000	22000	0.045
6203	17	40	12	0.6	6.747	8	9.58	4.78	16000	20000	0.064
6204	20	47	14	1	7.938	8	12.8	6.65	14000	18000	0.105
6205	25	52	15	1	7.938	9	14	7.88	12000	16000	0.125
6206	30	62	16	1	9.525	9	19.5	11.5	9500	13000	0.19
6207	35	72	17	1.1	11.112	9	25.5	15.2	8500	11000	0.27
6208	40	80	18	1.1	12	9	29.5	18	8000	10000	0.37
6210	50	90	20	1.1	12.7	10	35	23.2	6700	8500	0.462
6211	55	100	21	1.5	14.288	10	43.2	29.2	6000	7500	0.598
6212	60	110	22	1.5	15.081	10	47.8	32.8	5600	7000	0.77
6213	65	120	23	1.5	16.669	10	57.2	40	5000	6300	0.99
6214	70	125	24	1.5	16.669	11	60.8	45	4800	6000	1.07
6215	75	130	25	1.5	17.462	11	66	49.5	4500	5600	1.18
6216	80	140	46	1.5	18.256	11	71.5	54.2	4300	5300	1.39
6217	85	150	28	2	19.844	11	83.2	63.8	4000	5000	1.75
6218	90	160	30	2	22.225	10	95.8	71.5	3800	4800	2.2
6219	95	170	32	2	24	10	110	82.8	3600	4500	2.61
6220	100	180	34	2.1	25.4	10	122	92.8	3400	4300	3.19
6221	105	190	36	2.1	26.988	10	133	105	3200	4000	3.78
6222	110	200	38	2.1	28.575	10	144	117	3000	3800	4.44
6224	120	215	40	2.1	30.162	10	155	131	2600	3400	5.11
6226	130	230	40	3	30.162	11	165	148	2400	3200	6.19
6228	140	250	42	3	32	11	179	167	2000	2800	7.77
6230	150	270	45	3	35	11	203	199	1900	2600	9.78
6232	160	290	48	3	36.512	11	215	218	1800	2400	12.22
6234	170	310	52	3	40	11	245	260	1700	2200	15.24
6236	180	320	52	3	42	11	262	285	1600	2000	15.518

DEEP GROOVE BALL BEARING SERIES



6300 SERIES DEEP GROOVE BALL BEARING

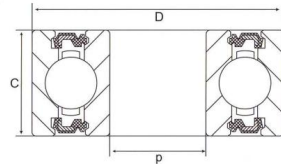


Bearing Number	Dimension (mm)				Steel Balls		Load (KN)		Max Rotation Speed (r/min)		Weight (Kg)
	d	D	B	r	Size	Amount	Cr(N)	Cor(N)	Grease	Oil	
6300	10	35	11	0.6	6.35	7	7.65	3.48	18000	24000	0.053
6301	12	37	12	1	7.938	6	9.72	5.08	17000	22000	0.051
6302	15	42	13	1	7.938	7	11.5	5.42	16000	20000	0.08
6303	17	47	14	1	8.731	7	13.5	6.58	15000	18000	0.109
6304	20	52	15	1.1	9.525	7	15.8	7.88	13000	16000	0.142
6305	25	62	17	1	11.5	7	22.2	11.5	10000	14000	0.26
6306	30	72	19	1	12	8	27	15.2	9000	12000	0.34
6307	35	80	21	1.5	13.494	8	33.4	19.2	8000	10000	0.45
6308	40	90	23	1.5	15.081	8	40.8	24	7000	9000	0.63
6309	45	100	25	1.5	17.462	8	52.8	31.8	6300	7500	0.82
6310	50	110	27	1.5	19.05	8	61.8	38	6000	7000	1
6311	55	120	29	1.5	20.638	8	71.5	44.8	5600	6700	1.367
6312	60	130	31	1.5	22.225	8	81.8	51.8	5000	6000	1.71
6313	65	140	33	1.5	24	8	93.8	60.5	4500	5300	2.1
6314	70	150	35	1.5	25.4	8	105	68	4300	5000	2.5
6315	75	160	37	2	26.988	8	113	76.8	4000	5000	3.05
6316	80	170	39	2	28.575	8	123	86.5	3800	4800	3.61
6317	85	180	41	2	30.162	8	132	96.5	3600	4500	4.28
6318	90	190	43	2	32	8	145	108	3400	4300	4.97
6320	100	215	47	3	36.512	8	173	140	2800	3600	7.09
6321	105	225	49	3	38.1	8	184	153	2600	3200	8.05
6322	110	240	50	3	41.275	8	205	178	2400	3000	9.53
6324	120	260	55	3	44.45	8	228	208	2200	2800	12.2
6326	130	280	58	3	48	8	253	242	2000	2600	14.77

DEEP GROOVE BALL BEARING SERIES



6400 SERIES DEEP GROOVE BALL BEARING



Bearing Number	Dimension (mm)				Steel Balls		Load (KN)		Max Rotation Speed (r/min)		Weight (Kg)
	d	D	B	r	Size	Amount	Cr(N)	Cor(N)	Grease	Oil	
6403	17	62	17	1.1	12.7	6	22.7	10.8	11000	15000	0.268
6404	20	72	19	1.1	15.081	6	31	15.2	9500	13000	0.4
6405	25	80	21	1.1	17	6	38.2	19.2	8500	11000	0.529
6406	30	90	23	1.5	19.05	6	47.5	24.5	8000	10000	0.71
6407	35	100	27	1.5	20.638	6	56.8	29.5	6700	8500	0.926
6408	40	110	27	1.5	20.638	7	65.5	37.5	6300	8000	1.22
6409	45	120	29	1.5	22.225	7	77.5	45.5	5600	7000	1.52
6410	50	130	31	1.5	25.4	7	92.2	55.2	5300	6300	1.855
6411	55	140	33	1.5	26.988	7	100	62.5	4800	6000	2.316
6412	60	150	35	2	28.575	7	109	70	4500	5600	2.811
6413	65	160	37	2	30.162	7	118	78.5	4300	5300	3.342
6414	70	180	42	2	34	7	140	99.5	3800	4800	4.896
6415	75	190	45	3	36.512	7	154	115	3600	4500	5.739
6416	80	200	48	3	38.1	7	163	125	3400	4300	6.752
6417	85	210	52	3	40	7	175	138	3200	3800	7.933
6418	90	225	54	3	42.862	7	192	158	2800	3600	9.56

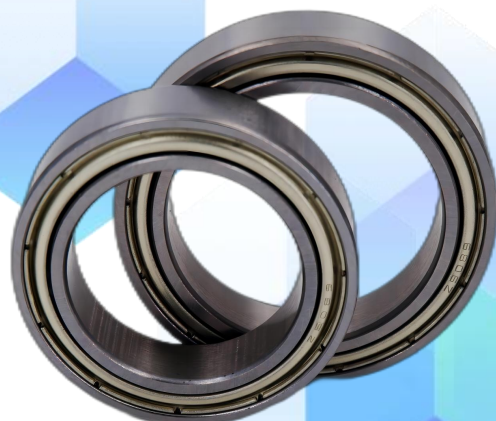
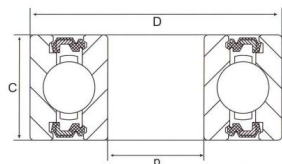
Note: If you have special requirements, such as exceeding the rotation speed limit, please inform us and we will provide customized design and production.

Please contact our sales department for any items not included in the catalogue.

DEEP GROOVE BALL BEARING SERIES



6800 SERIES DEEP GROOVE BALL BEARING

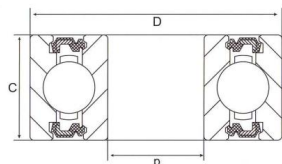


Bearing Number	Dimension (mm)				Steel Balls		Load (KN)		Max Rotation Speed (r/min)		Weight (Kg)
	d	D	B	r	Size	Amount	Cr(N)	Cor(N)	Grease	Oil	
6800	10	19	5	0.3	2.381	11	1.8	0.93	28000	36000	0.005
6801	12	21	5	0.3	2.381	12	1.9	1	24000	32000	0.005
6802	15	24	5	0.3	2.381	14	2.1	1.3	22000	30000	0.005
6803	17	26	5	0.3	2.381	16	2.2	1.5	20000	28000	0.007
6804	20	32	7	0.3	3.175	14	3.5	2.2	18000	24000	0.015
6805	25	37	7	0.3	3.5	15	4.3	2.9	16000	20000	0.017
6806	30	42	7	0.3	3.5	18	4.7	3.6	13000	17000	0.019
6807	35	47	7	0.3	3.5	20	4.9	4	11000	15000	0.023
6808	40	52	7	0.3	3.5	22	5.1	4.4	10000	13000	0.026
6809	45	58	7	0.3	3.969	22	6.4	5.6	9000	12000	0.03
6810	50	65	7	0.3	3.969	24	6.6	6.1	8500	10000	0.043
6811	55	72	9	0.3	4.762	23	9.1	8.4	8000	9500	0.07
6812	60	78	10	0.3	4.762	24	9.1	8.7	7000	8500	0.093
6813	65	85	10	0.6	5.556	23	11.9	11.5	6700	8000	0.13
6814	70	90	10	0.6	5.556	24	12.1	11.9	6300	7500	0.14
6815	75	95	10	0.6	5.556	26	12.5	12.9	6400	7600	0.145
6816	80	100	10	0.6	5.556	27	12.7	13.3	6000	7100	0.154
6817	85	110	13	1	7.144	24	18.7	19	5700	6700	0.27
6818	90	115	13	1	7.144	25	19	19.7	5400	6300	0.29
6819	95	120	13	1	7.144	26	19.3	20.5	5000	5900	0.3
6820	100	125	13	1	7.144	27	19.8	21.2	4800	5600	0.31
6821	105	130	13	1	7.144	28	19.8	22	4600	5400	0.33
6822	110	140	16	1.5	8.731	25	28.1	30.7	4400	5200	0.5
6824	120	150	16	1.5	8.731	27	28.9	32.9	4200	5000	0.54
6826	130	165	18	2	10.319	25	37.9	42.9	3200	4000	0.736
6828	140	175	18	2	10.319	26	38.2	44.3	3000	3800	0.784
6830	150	190	20	2	11.906	25	49.1	57.1	2800	3400	1.114

DEEP GROOVE BALL BEARING SERIES



6900 SERIES DEEP GROOVE BALL BEARING



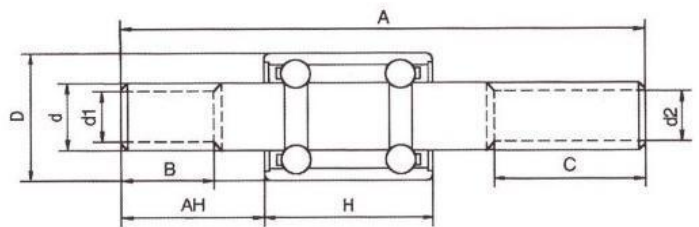
Bearing Number	Dimension (mm)				Steel Balls		Load (KN)		Max Rotation Speed (r/min)		Weight (Kg)
	d	D	B	r	Size	Amount	Cr(N)	Cor(N)	Grease	Oil	
6900	10	22	6	0.3	3.175	9	2.7	1.3	25000	32000	0.008
6901	12	24	6	0.3	3.175	10	2.9	1.5	22000	28000	0.008
6902	15	28	7	0.3	3.969	10	4.3	2.3	20000	26000	0.012
6903	17	30	7	0.3	3.969	11	4.6	2.6	19000	24000	0.014
6904	20	37	9	0.3	4.762	11	6.4	3.7	17000	22000	0.031
6905	25	42	9	0.3	4.762	13	7	4.5	14000	18000	0.038
6906	30	47	9	0.3	4.762	14	7.2	5	12000	16000	0.043
6907	35	55	10	0.6	5.556	14	9.5	6.8	10000	13000	0.078
6908	40	68	9	0.6	6.747	14	13.7	9.9	9500	12000	0.103
6909	45	68	12	0.6	6.747	15	14.1	10.9	8500	11000	0.123
6910	50	72	12	0.6	6.747	16	14.5	11.7	8000	9500	0.122
6911	55	80	13	1	7.144	16	15.9	13.2	7500	9000	0.17
6912	60	85	13	1	7.144	17	16.4	14.2	6700	8000	0.18
6913	65	90	13	1	7.144	19	17.4	16	6300	7500	0.2
6914	70	100	16	1	8.731	17	23.7	21.1	6000	7000	0.34
6915	75	105	16	1	8.731	18	24.3	22.5	5600	6700	0.355
6916	80	110	16	1	8.731	19	24.9	23.9	5300	6300	0.375
6917	85	120	18	1	10.319	17	31.9	29.7	4800	6000	0.507
6918	90	125	18	1.5	10.319	18	32.8	31.5	4500	5600	0.533
6919	95	130	18	1.5	10.319	19	33.7	33.3	4300	5300	0.56
6920	100	140	20	2	11.906	18	42.7	41.9	4000	5000	0.77
6921	105	145	20	2	11.906	19	43.9	44.3	3800	4800	0.81
6922	110	150	20	2	11.906	19	43.6	44.4	3600	4500	0.84
6924	120	165	22	2	13.494	19	55	56.9	3200	4000	1.13
6926	130	180	24	2	15.081	18	65.1	67.2	3000	3800	1.496
6928	140	190	24	3	15.081	19	66.6	71.2	2800	3600	1.589
6930	150	210	28	3	17.462	18	84.7	90.2	2600	3200	2.454

WATER PUMP BEARING SERIES



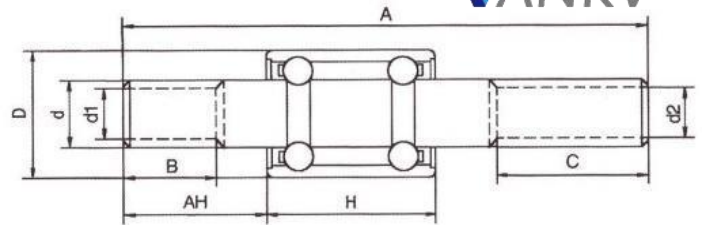
With the development of cars towards higher speeds, greater reliability and lower energy consumption requirements arise for cooling water pumps to be developed with characteristics such as lightweight design , compact size , high flow rate , and increased operating speeds. The shaft bearings are newly designed bearings that possess larger load-bearing capacities , improved rigidity , higher rotational accuracy , longer service lives as well as having reasonable structures ensuring reliable performance. Currently these bearings are extensively utilized not only within automotive cooling systems but also find wide applications within textile machinery, construction machinery among others.

BALL-BALL TYPE



Bearing Number	Dimension (mm)								
	D	H	A	AH	d	d1	d2	B	C
WB 1224065	24	33.38	65.41	16	12.038				
WB 1224079	24	33.38	78.83	17	12.038				
WB 1224080	24	33.38	80	14.2	12.738				
WB 1224083-1	24	33.38	82.73	16	12.038				
WB 1224083	24	25	83	21	12				
WB 1224084-1	24	33.38	83.57	16.39	12.738				
WB 1224084	24	33.38	83.9	22.2	12.038				
WB 1224085	24	27	85	21	12.038				
WB 1226086	26	39	86	12	12				
WB 1226090	26	39	89.5	16.5	12				
WB 1224090-1	26	36	90	14	12				
WB 1226091	26	39	90.5	16.5	12				
WB 1226093-1	26	39	92.5	16.5	12				

WATER PUMP BEARING SERIES



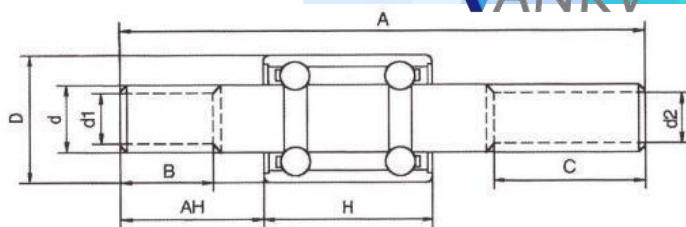
BALL-BALL TYPE

Bearing Number	Dimension (mm)								
	D	H	A	AH	d	d1	d2	B	C
WB 1226093	26	36	93	16	12				
WB 1224094Y	26	39	94	21.5	12				
WB 1226095	26	39	94.5	21.5	12				
WB 1226098	26	36	97.5	17.5	12				
WB 1226099	26	39	99	21.5	12				
WB 1226102	26	39	102.5	21.5	12				
WB 1226103-1	26	36	103.5	21.5	12				
WB 1226103	26	39	103.5	17.5	12				
WB 1226104	26	39	103.8	17.5	12				
WB 1226106	26	36	105.5	16.5	12				
WB 1226114	26	39	113.5	17.5	12				
WB 1226117	26	39	117	26	12				
WB 1530082	30	27	82.0	17	15.000		12		36
WB 1530085	30	27	85.0	17	15.008		12.038		39
WB 1530097	30	38.89	97.0	20	15.000		12		36
WB 1530131	30	52	130.5	33	15.000		12		49.5
WB 1630068	30	38.89	68.4	25	15.918				
WB 1630069	30	38.89	68.66	27.5	15.918				
WB 1630073	30	38.89	73	17	16				
WB 1630074	30	38.89	73.91	11.4	15.918				
WB 1630076	30	38.89	75.6	27.0	15.918				
WB 1630078	30	23	77.8	15.5	17.2				37.3
WB 1630080D	30	30	80	18	16	12	12	17	31
WB 1630081	30	38.89	80.95	22.48	15.918				
WB 1630083D	30	30	83	18	16				
WB 1630083C	30	25	83.1	16	15.918				
WB 1630084	30	38.89	84.4	13	15.918		12		30
WB 1630085D	30	38.89	84.99	15.07	15.918		2.037		28
WB 1630085	30	38.89	85	13.06	15		12		28.5
WB 1630085-1	30	38.89	85.22	15.21	15.918		12042		29.21
WB 1630086	30	30	86	16.5	15.918	15	12	16	37
WB 1630086D	30	38.89	86	17	16		12		33

WATER PUMP BEARING SERIES

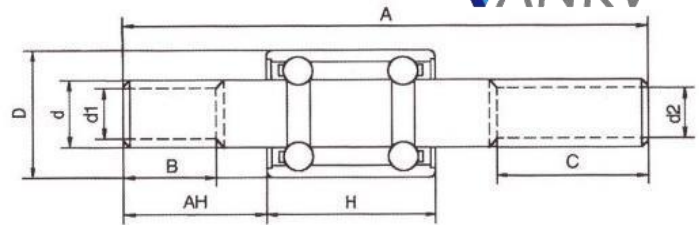


BALL-BALL TYPE



Bearing Number	Dimension (mm)								
	D	H	A	AH	d	d1	d2	B	C
WB 1630087C	30	38.89	86.5	13.5	15.918		12.038		32.7
WB 1630088C	30	38.89	87.5	13.5	15.918		12		34.25
WB 1630091C	30	38.89	91	13.5	15.918	12	12	15.5	36
WB 1630091D	30	38.89	91.5	17.56	15.918		12		33
WB 1630092-1	30	38.89	91.85	20.45	15.918	12	2.675	14.5	29.34
WB 1630092D	30	38.89	92	16.5	15.918		12		34.5
WB 1630092	30	38.89	92.48	25.12	15.918		2037		26.02
WB 1630093D	30	38.89	92.5	16.5	15.918		12		34.5
WB 1630093-1	30	38.89	93	18.5	15.918		12		32.6
WB 1630093	30	38.89	93	18.5	15.918				
WB 1630094	30	38.89	94.5	35.11	15.918				
WB 1630095	30	38.89	94.6	19.2	15.918		12		33.5
WB 1630096	30	38.89	96.5	17.87	15.918		12.052		35.45
WB 1630098-1	30	38.89	97.51	23.49	15.918				
WB 1630098-2	30	38.89	97.65	19.05	15.918		12.675		36.53
WB 1630098-3	30	38.89	97.82	17.88	15.918				
WB 1630098A	30	38.89	98	17	15.918				
WB 1630098-4	30	38.89	98	20	15.918				
WB 1630098W	30	38.89	98	16.5	15.918				
WB 1630098C	30	38.89	98	16	15.918		12		40.6
WB 1630098CA	30	38.89	98	17.06	15.918				
WB 1630098-5	30	38.89	98.04	18.51	15.918		12.23		38
WB 1630099	30	38.89	98.5	22.55	15.918		5		33.76
WB 1630099-1	30	38.89	98.5	16.5	15.918	12	12		40.5
WB 1630099-2	30	38.89	98.88	23.62	15.918	15	12	21.13	32.51
WB 15300100	30	36.5	100	23.5	15.011		15		
WB 16300100	30	38.89	100	24	15.918				35
WB 1630101D	30	38.89	101	24	15.918	14	12	20.5	35.1
WB 1630101	30	38.89	101.2	21.8	15.918		12		
WB 1630101-1	30	38.89	101.24	29	15.918	12.007	2.687	25.4	31.01
WB 1630102-1	30	38.89	101.5	17.5	15.918				
WB 1630102-2	30	38.89	101.5	17.5	15.938				

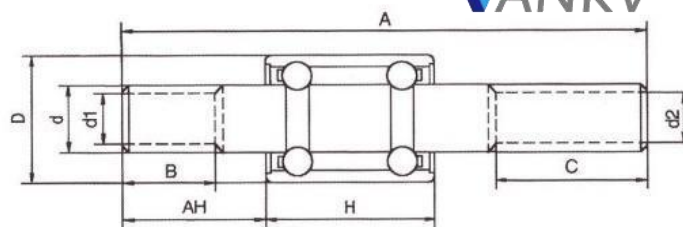
WATER PUMP BEARING SERIES



BALL-BALL TYPE

Bearing Number	Dimension (mm)								
	D	H	A	AH	d	d1	d2	B	C
WB 1630102-3	30	38.89	102.01	16.92	15.918				
WB 1630102-4	30	38.89	102.26	35	15.918	15	15	32.92	26.04
WB 1630102A	30	38.89	102.5	22	15.918		12.675		38.5
WB 16301025-5	30	38.89	102.62	24.45	15.918		2.674		38.1
WB 1630103-1	30	38.89	102.74	35.02	15.918	12.7	12.014	30.5	23.75
WB 1630103-2	30	38.89	102.74	28.77	15.918	2.014	12.7	25.5	32
WB 1630103-3	30	38.89	102.87	22.7	15.918		2.675		38.1
WB 1630103-4	30	38.89	102.87	23.11	15.918				
WB 1630103D	30	38.89	103	16.51	15.918		12		43
885140	30	38.89	103.2	23.42	15.918				
WB 1630104-1	30	38.89	103.5	21.58	15.918	12	12	18.26	39.75
WB 1630104-2	30	38.89	103.5	21.56	15.918		12		39.75
WB 1630104-3	30	38.89	103.51	19.56	15.918		12		42
WB 1630104-4	30	38.89	103.84	22.33	15.918				
WB 1630104	30	38.89	104	16.25	16	12	12	14.5	46.5
WB 1630105-1	30	38.89	104.65	20.3	15.918				
WB 1630105-2	30	38.89	104.68	27.05	15.918				
WB 1630105-3	30	38.89	105	47.16	15.918				
WB 1630105-4	30	38.89	105.16	23.95	15.918				
WB 1630105	30	38.89	105.3	16.2	16	12	12	15	48
885159	30	38.89	105.4	24.21	15.918				
WB 1630105-5	30	38.89	105.46	20.63	15.918				
WB 1630106-1	30	38.89	105.5	24.05	15.918		12		40
WB 1630106-2	30	38.89	105.5	16.5	15.918	12	12	13.1	46
WB 1230106D	30	38.89	105.65	16.25	15.918	12	12	14.5	48
WB 1630106	30	38.89	106	26.11	16				
WB 1630106-3	30	38.89	106	20.65	15.918				
WB 1630106D	30	38.89	106	25	16		12		40
WB 1630106W	30	38.89	106	30	15.918		12		34
WB 1630106-4	30	38.89	106.17	25.15	15.918				
WB 1630106-5	30	38.89	106.17	25.12	15.918		12.738		38.86
WB 1630106-6	30	38.89	106.2	18.5	15.918		12		41

WATER PUMP BEARING SERIES



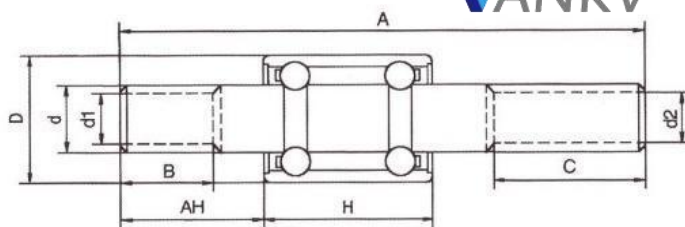
BALL-BALL TYPE

Bearing Number	Dimension (mm)								
	D	H	A	AH	d	d1	d2	B	C
WB 1630107	30	38.89	106.5	27.8	15.918	15.01	12.052	26.1	35
WB 1630108	30	38.89	108	21.5	15.918		12		44.5
WB 1630109-1	30	38.89	108.74	27.38	15.918				
WB 1630109	30	38.89	109	27.31	16		12		33.5
WB 1630110	30	38.89	109.5	25.1	15.918		12.04		38.8
WB 1630110-1	30	38.89	109.52	14.67	15.918				
WB 1630110-2	30	38.89	110	23.52	15.918				
885524S	30	38.89	110	28.96	15.918				
WB 1630112	30	38.89	111.51	23.8	15.918				
WB 1630112D	30	38.89	111.65	21.5	15.918		12		44
WB 1630112-1	30	38.89	111.75	29.21	15.918				
WB 1630112-2	30	38.89	111.91	26.7	15.918				
WB 1630112-3	30	38.89	112	25.15	15.918				
WB 1630112-4	30	38.89	112	30	15918		12		40.49
WB 1630112-5	30	38.89	112	27	15.918				
WB 1630112-6	30	38.89	112.4	23.37	15.918				
WB 1630113-1	30	38.89	112.52	31.26	15.918				
WB 1630113-2	30	38.89	112.67	25.52	15.918				
WB 1630113-3	30	38.89	112.78	30	15.918				
WB 1630113	30	38.89	113	19	16		12		53.8
WB 1630113-4	30	38.89	113.11	31.75	15.918				
WB 1630113-5	30	38.89	113.21	32	15.918				
WB 1630113-6	30	38.89	113.49	27.38	15.918				
WB 1630114-1	30	38.89	113.67	36.1	15.918				
WB 1630114	30	38.89	114	24	15.918				
WB 1630114-2	30	38.89	114.3	32	15.918				
WB 1630115-1	30	38.89	114.54	29.4	15.918		12		42.5
WB 1630115-2	30	38.89	114.81	32	15.918				
WB 1630115	30	38.89	115	16.5	15.918		12		36
WB 1630115HW	30	38.89	115	26.11	16				
885167	30	38.89	115.51	27.8	15.918				
WB 1630116-1	30	38.89	115.75	26.85	15.918				

WATER PUMP BEARING SERIES

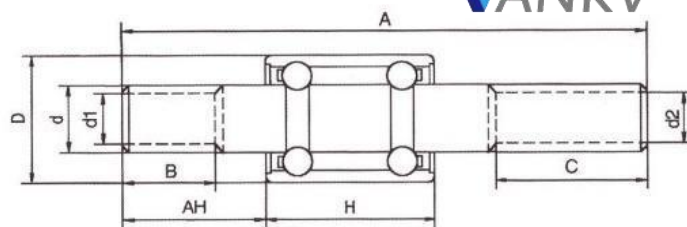


BALL-BALL TYPE



Bearing Number	Dimension (mm)								
	D	H	A	AH	d	d1	d2	B	C
WB 1630116-2	30	38.89	116	30.06	15.918		12		43
WB 1630116	30	38.89	116	26	15.918		12		46
WB 1630116C	30	38.89	116	27.11	15.918				
WB 1630117	30	38.89	116.5	27.5	16		13		47
WB 1630117-1	30	38.89	117.35	33.96	15.918				
WB 1630118	30	38.89	118.26	14.68	15.918				
WB 1630119	30	38.89	119	24	15.918				
885118	30	38.89	119.07	37.31	15.918				
WB 1630119C	30	38.89	119.3	37.6	15.918				
WB 1230119-1	30	38.89	119.46	32.54	15.918				
WB 1630119-2	30	38.89	119.46	40.82	15.918				
WB 1630120-1	30	38.89	119.84	36.5	15.918				
WB 1630120	30	38.89	120	31	15.918				
WB 1630121-1	30	38.89	120.65	38.12	15.918				
WB 1630121	30	38.89	120.9	29.46	15.918				
WB 1630122D	30	38.89	121.5	25	16		12		47.5
WB 1630122-1	30	38.89	121.62	31.42	15.918				
WB 1630122	30	38.89	121.87	37.26	15.918				
WB 1630122-2	30	38.89	121.92	41.37	15.918		2.675		38.1
WB 1630122X	30	38.89	122	26.5	15.918				
WB 1630122-3	30	38.89	122.12	32.96	15.918		2.703		44.7
WB 1630122-4	30	38.89	122.17	33.88	15.918				
WB 1630122-5	30	38.89	122.22	28.67	15.918				
WB 1630122-6	30	38.89	122.22	28.58	15.918				
885168	30	38.89	122.22	40.18	15.918				
WB 1630122-7	30	38.89	122.4	33.5	15.918				
WB 1630123	30	38.89	123.04	36.86	15.918				
WB 1630124-1	30	38.89	123.67	31.75	15.918				
WB 1630124-2	30	38.89	124	42.61	15.918		12		40
WB 1630124-3	30	38.89	124	41.78	15.918		12		40.49
WB 1630124	30	38.89	124	21	15.918				
WB 1630124-4	30	38.89	124.4	40	15.918				

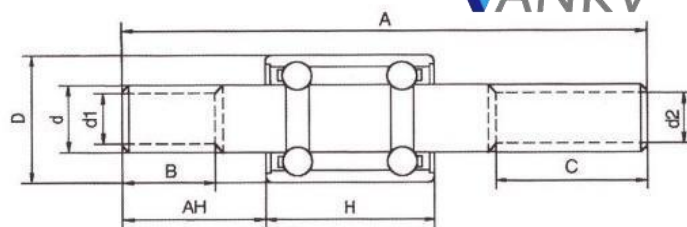
WATER PUMP BEARING SERIES



BALL-BALL TYPE

Bearing Number	Dimension (mm)								
	D	H	A	AH	d	d1	d2	B	C
WB 1630125	30	38.89	124.5	30.14	15.918		15.817		40.64
WB 1630125-1	30	38.89	124.97	39.12	15.918				
WB 1630126	30	38.89	126	34.3	15.918				
WB 1630127-1	30	38.89	127	44.55	15.918				
WB 1630127-2	30	38.89	127	37.94	15.918		12.7		35.56
WB 1630127-3	30	38.89	127	32.56	15.918				
WB 1630127	30	38.89	127	36	16	M12		19	
WB 1630127A	30	38.89	127	27	15.918		12		59
WB 1630128	30	38.89	127.7	22.41	15.918				
WB 1630128-1	30	38.89	127.79	44.45	15.918				
WB 1630128-2	30	38.89	127.79	25.8	15.918				
885169	30	38.89	129	31.75	15.918				
WB 1630130	30	38.89	130	41	15.918				
WB 1630132	30	38.89	132.16	50.42	15.918				
WB 1630132-1	30	38.89	132.16	47.85	15.918				
WB 1630133	30	38.89	132.54	40.87	15.918				
WB 1630133-1	30	38.89	132.64	29.77	15.918				
WB 1630133-2	30	38.89	132.64	29.77	15.938				
WB 1630133-3	30	38.89	133.1	55.35	15.918				
WB 1630133-4	30	38.89	133.25	38.86	15.918				
WB 1630134	30	38.89	133.86	42.65	15.918				
WB 1630135	30	38.89	134.92	33.15	15.918				
WB 1630135-1	30	38.89	135.28	50.85	15.918				
WB 1630135-2	30	38.89	135.28	45.59	15.918				
WB 1630136	30	38.89	135.74	44.5	15.969				
WB 1630136-1	30	38.89	135.74	52.4	15.918				
WB 1630136-2	30	38.89	136.4	39.1	15.918				
WB 1630137	30	38.89	137.49	40	15.918				
WB 1630138	30	38.89	137.67	46.23	15.918				
WB 1630138-1	30	38.89	138.1	40.89	15.918				
WB 1630138-2	30	38.89	138.1	58.34	15.918				
WB 1630138-3	30	38.89	138.1	45.7	15.918				

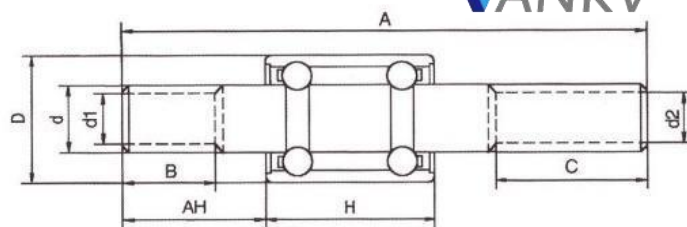
WATER PUMP BEARING SERIES



BALL-BALL TYPE

Bearing Number	Dimension (mm)								
	D	H	A	AH	d	d1	d2	B	C
WB 1630139	30	38.89	139.32	35.05	15.918				
WB 1630141	30	38.89	141	49	15.918				
WB 1630141-1	30	38.89	141.22	28.93	15.918				
WB 1630142	30	38.89	142.1	44.86	15.918				
WB 1630143	30	38.89	142.88	40.08	15.918				
WB 1630144	30	38.89	144.88	52.71	15.918		12.703		47.24
WB 1630146	30	38.89	146.2	61.72	15.918				
WB 1630150-1	30	38.89	150	35.1	15.918				
WB 1630150	30	38.89	150	52	15.918	12	M10	50.5	48.5
WB 1630154	30	38.89	154	34.05	15.918				
WB 1630154-1	30	38.89	154.23	29.77	15.918				
WB 1630154-2	30	38.89	154.23	29.77	15.938				
WB 1630156	30	38.89	155.58	69.95	15.918				
WB 1630160-1	30	38.89	159.77	62.66	15.918				
WB 1630161	30	38.89	161.47	58.34	15.918				
WB 1630166	30	38.89	165.85	63.48	15.918				
WB 1630167	30	38.89	177.09	79.88	15.918				
WB 1630172	30	60	172	70	15.918		12		40.5
WB 1635153	35	46	153	35	15.918				
WB 17.230075	30	23	75	14	17.2		12		35.7
WB 17.230077-1	30	23	77	16.5	17.2		12		35
WB 17.230102	30	38.9	102	19.5	17.2		12		40.8
WB 1735119	35	46	119	27	17		12		44
WB 1735152	35	46	152	31	17		12		64
WB 1835086	35	30	86	10.5	18		12		43.5
WB 1835095	35	31	94.5	24	18	15.918	12	22	37.5
WB 1835086	35	52	108	20	18		12		33.5
WB 1835114-3	35	46	114	30.5	18	16	12	10	36
WB 1835146	35	54	146	31	18	15.918	15.918	11	57
WB 1738121	38.1	54	120.65	24.260	18.961		15.918		39.675
WB 1738126	38.1	54	125.73	30.861	18.961	15.918	15.918	27.432	37.338
WB 1738127-1	38.1	54	127	26.67	18.961	15.938	15918	11.636	44.45

WATER PUMP BEARING SERIES



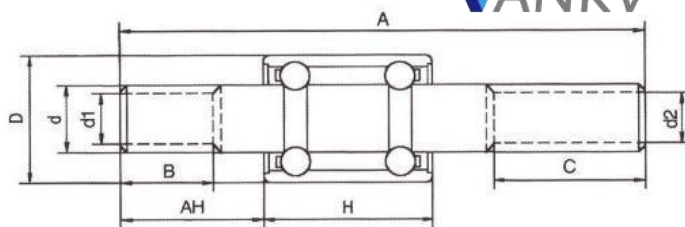
BALL-BALL TYPE

Bearing Number	Dimension (mm)								
	D	H	A	AH	d	d1	d2	B	C
WB 1739127	38.1	54	127	31.369	18.961		15.918		38.1
WB 1738127-2	38.1	54	127.51	31.115	18.961	15.918	15.918	14.275	39.878
WB 1738132	38.1	54	132.08	29.845	18.961	15.918	15.918	12.319	43.18
WB 1738134	38.1	54	134.05	37.605	18.961		15.918		39.678
WB 1738134-1	38.1	54	134.112	30.353	18.961		15.918		47.244
WB 1738136-2	38.1	54	135.636	31.877	18.961		15.918		47.244
WB 1938136-1	38.1	54	36.398	36.195	18.961	15.918	15.918	12.219	43.434
WB 1938136	38.1	54	36.652	36.703	18.961	15.918	15.918	33.02	42.418
WB 1938137	38.1	54	136.779	40.386	18.961	15.918	15.918	14.275	39.873
WB 1938140-1	38.1	54	139.7	35.56	18.961	15.918	15.918	15.392	47.752
WB 1938140-2	38.1	54	140	33.7	18.961	15.918	15.918	29	49.146
WB 1938140	38.1	54	140.589	39.624	18.961		15.918		43.815
WB 1938142	38.1	54	141.757	43.84	18.961		15.918		41.021
WB 1938143-1	38.1	54	143.256	35.305	18.961		15.918		49.2
WB 1938143	38.1	54	43.485	30.836	18.961	15.918	15.918	12.243	45.72
WB 1938144	38.1	54	143.764	41.021	18.961	15.918	15.918	37.5	45.577
WB 1938145	38.1	54	45.796	44.704	18.961		15.918		44.45
WB 1938145-1	38.1	54	145.796	44.704	18.961		15.918		40.767
WB 1938146	38.1	54	146.05	36.322	18.961	15.918	15.918	13.716	51.562
WB 1938146-1	38.1	54	146.05	36.322	18.961	15.918	15.918	33.02	51.562
WB 1938150	38.1	54	150.52	35.052	18.961	15.918	15.918		58.318
WB 1938152	38.1	54	152.4	35.66	18.961	15.918	15.918	15.265	60.528
WB 1938153-1	38.1	54	152.908	53.694	18.961	15.918	15.918	28.448	41.783
WB 1938153-2	38.1	54	152.908	46.355	18.961	15.918	5.918	28.575	43.035
WB 1938153	38.1	54	53.416	45.72	18.961		15.918		50.546
WB 1938154	38.1	54	154.229	29.769	18.961	15.918	15.918	8.89	57.15
WB 1940127-2	40	46	126.6	32.6	19	17	12	9.5	41.5
WB 2036097	36	37	96.5	17.5	20	16	15.91	15	41
WB 2040151	40	50	151	51.8	20	M14	15.918	20.5	44
WB 2040143B	40	50	143	31.5	20.004		16		55
WB 2242067	42	42	67	23	22				

WATER PUMP BEARING SERIES

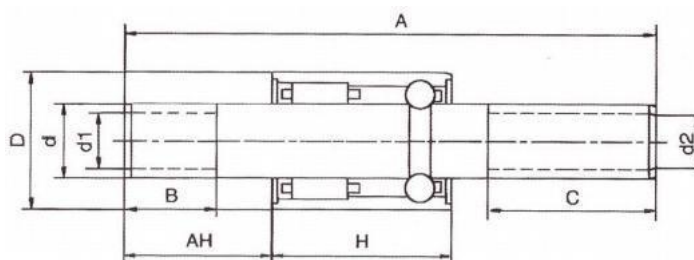


BALL-BALL TYPE



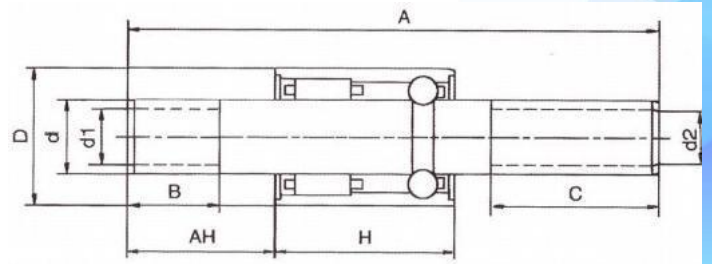
Bearing Number	Dimension (mm)								
	D	H	A	AH	d	d1	d2	B	C
WB 2242118	42	46	118	21	22		12		42
WB 2242125	42	46	125	27	22	18	12	25.5	50
WB 2242130	42	56	129.5	30	22		12		41.5
WB 2242142	42	46	142	41.5	22		15.918		49
WB 2540112	40	38	112	36	24.5		15.918		36
WB 2540114-1	40	40	142	19	24.5		12		51.5
WB 2556173	56	70	172.5	36	25		20		28.5
WB 3055130	55	47.5	130	31.8	30		15.06		48
WB 3256216	56	70	216	63.5	31.5	25	24.8	33	44.5

BALL-ROLLER TYPE



Bearing Number	Dimension (mm)								
	D	H	A	AH	d	d1	d2	B	C
WR 1630087C	30	38.89	87	13.5	15.918		12.038		32.7
WR 1630091C	30	38.89	91	13.5	15.918		12		36
WR 1630102C	30	38.89	101.5	17.5	15.918				
WR 1630103C	30	38.89	102.5	27.93	15.918				
WR 1630106C	30	38.89	106.5	19.8	16				
WR 1530114	30	38.89	114	24	15				
WR 1630116	30	38.89	115.8	27.93	15.918				
WR 1630119	30	38.89	119	18.11	15.918				
WR 1630128	30	38.89	128	25.61	16		12		48.5
WR 1630129D	30	38.89	129	38.11	16		12		49
WR 1630135C	30	38.89	136.5	47.5	16		M14		46.5

WATER PUMP BEARING SERIES



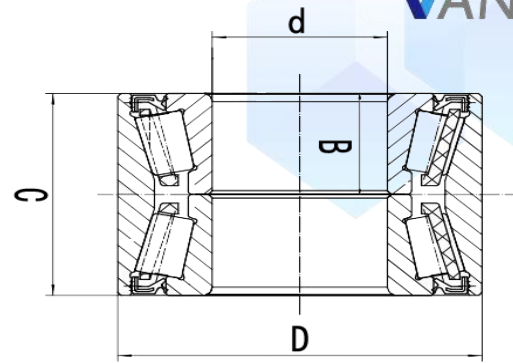
BALL-ROLLER TYPE

Bearing Number	Dimension (mm)								
	D	H	A	AH	d	d1	d2	B	C
WR 1630139C	30	38.89	139	23.11	15.918				
WR 1630139-1	30	38.90	139	23	15.918				
WR 1630139-2	30	38.90	139	25.90	15.918				
WR 1630148-2	30	44	147.8	28.7	15.918				
WR 1630154	30	38.9	154.23	29.76	15.918				
WR 1734106	34	36	106	21	17.008		12		46.0
WR 1938115-1	38.1	46	115.0	26.0	19		15.918		41.0
WR 1938159	38.1	54	159	22	19		15.918		61.5
WR 1940119	40	46	119.0	26.5	19		12		42.0
WR 1940133	40	46	133	30.6	19		17		55
WR 2040143	40	50	143.0	31.5	20.004		16		55.0
WR 2242105	42	65	105		22				35.0
WR 2242118	42	46	118.0	28.2	22		12.038		40.6
WR 2242119-1	42	46	119	26.7	22		15.918		43.5
WR 2242138	42	46	138	39.0	22	15.918	12	10	47
WR 2242141	42	56	141	36.0	22		12.000		43.5
WR 2242142	42	46	142.0	41.3	22		15.918		49.0
WR 2242148	42	46	147.5	41.0	22		12		54.5
WR 2242179	42	75	179.0	38.9	22		12		57.1
WR 2552133C	52	52	133	30	25		15.918		50
WR 2548178	47.625	70	177.7	47.35	25.4		12		51.4
WR 2548164	47.625	70	164	33.2	25.4		12		51
WR 2552138C	52	56	138	31	25	18	15.918		50
WR 2555127	55	60	127	25	25.061		15.056		37.5
WR 2555127	55	60	127	25	25.061		16.056		38.75
WR 2552140	55	60	140	25	25.061		16.050		53
WR 2555150	55	56.5	150	30	25.061		16.000		61.5
WR 2552173	55	70	173	36.5	25		20		61
WR 2555187	55	100	187	25	25.061		15.056		42
WR 3055130	55	48	130	31.8	30		15.06		48

WHEEL HUB BEARING SERIES



DU TYPE

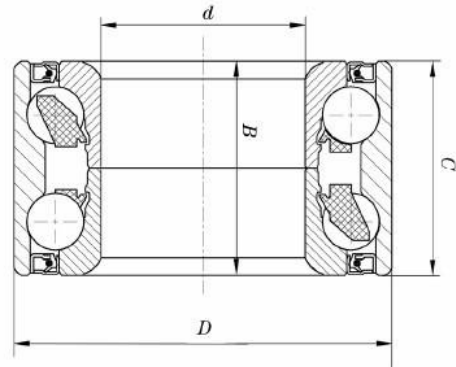


Bearing Number	Dimension (mm)				Weight (kg)	Corresponding to the model		
	d	D	B	C		SKF	FAG	KOYO
DU25520037	25	52	18.5	37	0.359			
DU25520037	25	52	18.5	37	0.358			
DU25520043	25	52	21.5	43	0.424			
DU25550043-2RS	25	55	21.5	43	0.497			
DU25550045	25	55	22.5	45	523			
DU25550048-RZ	25	55	24	48	0.568			
DU25620048	25	62	24	48	0.589			
DU25640038/254	25	64	19	25.4	623			
DU25640038.2/276	25	64	19.1	27.6	0.653			
DU27520045/43	27	52	22.5	43	0.418			
DU27530043-2RS	27	53	21.5	43	0.435			
DU28540039	28	54	19.5	39	0.408			
DU29530037-2RS	29	53	18.5	37	0.354			
DU30540039	30	54	19.5	39	0.38			
DU30540047/39	30	54	23.5	39	0.422			
DU30550027/25	30	55	13.5	25	0.294			
DU30580042	30	58	21	42	49			
DU30620048-RZ	30	62	24	48	0.687			
DU325800651/57	32	58	32.55	57	641			
DU34640037	34	64	18.5	37	0.535			
DU35650035-RZ	35	65	17.5	35	0.447			
DU36640037	36	64	18.5	37	0.497			
DU36640062/47	36	64	31	47	0.704			
DU36680062/52	36	68	31	52	0.911			
DU38640032/29	38	64	16	29	0.414			
DU38640036/33	38	64	36	33	0.45			
DU38650052/48	38	65	26	48	0.631			
DU38650052/48	38	65	26	48	0.65			
DU381700039/37	38.1	70	19.5	37	0.608			
DU39680037	39	68	18.5	37	0.559			

WHEEL HUB BEARING SERIES



DAC TYPE

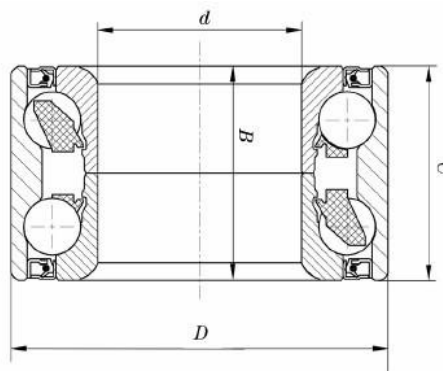


Bearing Number	Dimension (mm)				Weight (kg)	Corresponding to the model		
	d	D	B	C		SKF	FAG	KOYO
DAC28610042	28	61	42	42	0.53	(28bwd01a)		
DAC124000183	12	40	18.3	18.3	0.11	C-00187		
DAC20420030/29	20	42	30	29	0.17	265592J22	539816	
DAC205000206	20	50	20.6	20.6	0.21	156704		
DAC2050002068	20	50	20.6	20.6	0.22		320104	
DAC2184800206/18	21.8	48	20.6	18	0.25	CBK506		
DAC254650027/24	25.4	65	27	24	0.41			
DAC255200206/23	25	52	20.6	23	0.33	VBF256705		
DAC25520037	25	52	37	37	0.31	445539A	576467	
DAC25520037S	25	52	37	37	0.31	FC12025		
DAC25520042	25	52	42	42	0.34	(25BWD01)		DAC2552W-9 2RS
DAC25520043	25	52	43	43	0.35			DAC2552BW-1
DAC25550043	25	55	43	43	0.36	BAH0059		(IR-2222)
DAC25560029/206	25	56	29	20.6	0.32	633272		
DAC25560032	25	56	32	32	0.34	BAH5000		
DAC25720043	25	72	43	43	0.65			
DAC27520045	27	52	45	45	0.36			
DAC27530043	27	53	43	43	0.36	27BWD01J	(IR-8653)	DAC01WD07
DAC27600050	27	60	50	50	0.56	28BWD03A		DAC28582RK
DAC28580042	28	58	42	42	0.45	28BWD01A		
DAC28580044	28	58	44	44	0.48			
DAC28610042	28	61	42	42	0.53		801023A	
DAC29530037	29	53	37	37	0.34		NTN DE0678	
DAC30500020	30	50	20	20	0.13		NEN DE0681	
DAC30540024	30	54	24	24	0.36			ATV-BB-2
DAC30550030/25	30	55	30	25	0.39			DAC3055WCS31

WHEEL HUB BEARING SERIES



DAC TYPE

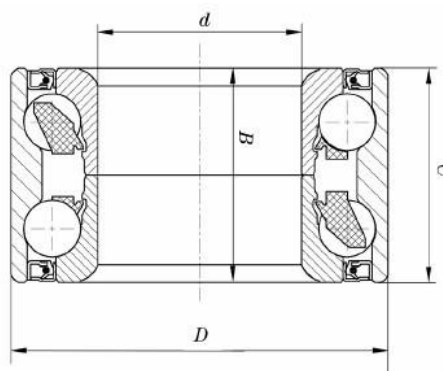


Bearing Number	Dimension (mm)				Weight (kg)	Corresponding to the model		
	d	D	B	C		SKF	FAG	KOYO
DAC30550032	30	55	32	32	0.27			
DAC30580042	30	58	42	42	0.48			6-256706E1
DAC30600037	30	60	37	37	0.42	633313C	VBF6-256706	545312
DAC30600337	30	60.03	37	37	0.42	BA2B243739CA		
DAC00034/34	30	60	37	34	0.4	30BVV06		
DAC30620032	30	62	32	32	0.36		IR-8004	
DAC30620037	30	62	37	37	0.42	30BWD10		
DAC30620038	30	62	38	38	0.43			
DAC30620044	30	62	44	44	0.44	30BWD01A		DAC3063W-1
DAC30630042	30	63	42	42	0.47			
DAC30640037	30	64	37	37	0.47		522372	DAC3064WRKB
DAC30640042	30	64	42	42	0.49	630374/C4		IR-8014
DAC30650021	30	65	21	21	0.27	320406		
DAC306500264	30	65	26.4	26.4	0.36	30BWD04	3306	
DAC30680045	30	68	45	45	0.52			
DAC307200302	30	72	30.2	30.2	0.31	BAHB636035		
DAC30720037	30	72	37	37	0.48	32BWD05		
DAC30720045	32	72	45	45	0.6			
DAC32580065/57	32	58	65	57	0.6			
DAC32720034	32	72	34	34	0.6			
DAC34620037	34	62	37	37	0.41	309724	561447	
DAC34640037	34	64	37	37	0.43	309726DA	VBF 6-256907	
DAC34660037	34	66	37	37	0.41	636114A	580400CA	
DAC34670037	34	67	37	37	0.44		803775	
DAC356180031	35	61.8	31	31	0.35			DAC3562AW
DAC35620040	35	61.8/ 62	40	40	0.42			DAC3562W- 5CS35
DAC35640037	35	64	37	37	0.41			DAC3564A-1
DAC34670037	34	67	37	37	0.44		803775	

WHEEL HUB BEARING SERIES



DAC TYPE

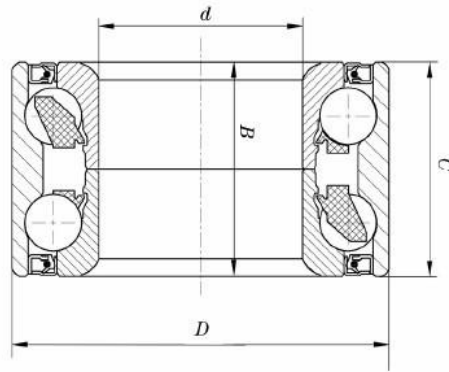


Bearing Number	Dimension (mm)				Weight (kg)	Corresponding to the model		
	d	D	B	C		SKF	FAG	KOYO
DAC356180031	35	61.8	31	31	0.35			DAC3562AW
DAC35620040	35	61.8/62	40	40	0.42			DAC3562W-5CS35
DAC35640037	35	64	37	37	0.41			DAC3564A-1
DAC35640037A10.15	35	64	37	37	0.43			
DAC35650035	35	65	35	35	0.4	BT2B445620B	546238A	
DAC35660032	35	66	32	32	0.42	445980A		
DAC35660033	35	66	33	33	0.43	BAHB633676		
DAC35660037	35	66	37	37	0.48	BAHB311309	544307	(BAHB0023)
DAC35670042	35	67	42	42	0.45	(35BWD24)		
DAC35680233/30	35	68.02	33	30	0.47	(35BWD07)		DAC3568W-6
DAC35680037	35	68	37	37	0.48	PLC15-12	GB12132S03	DAC3568A2RS
DAC35680042	35	68	42	42	0.52			
DAC35680045	35	68	45	45	0.52			
DAC35720027	35	72	27	27	0.43			
DAC35720028	35	72.02	28	28	0.44	BA2B441832AB	544033	
DAC35720033	35	72	33	33	0.58	BAHB633669	548083	GB12094
DAC35720034	35	72	34	34	0.6	(35BWD01)	540763	DAC357234A
DAC35720233/31	35	72.02	33	31	0.56	(35BWD06A)		DAC357233B-1W
DAC35720433	35	72.04	33	33	0.58	BA2B446762B		GB12862
DAC35720042	35	72	42	42	0.7			
DAC35720045	35	72	45	45	0.72			
DAC35760054	35	76	54	54	0.84	35BWD10		
DAC36640037A10.30	36	64	37	37	0.42			
DAC36640037A40.80	36	64	37	37	0.42			
DAC36640042	36	64	42	42	0.46			
DAC36680033	36	68	33	33	0.5			DAC3668AW
DAC36720434	36	72.04	34	34	0.58			
DAC36720534	36	72.05	34	34	0.58	36BWD01C	559225	DAC367234A

WHEEL HUB BEARING SERIES



DAC TYPE

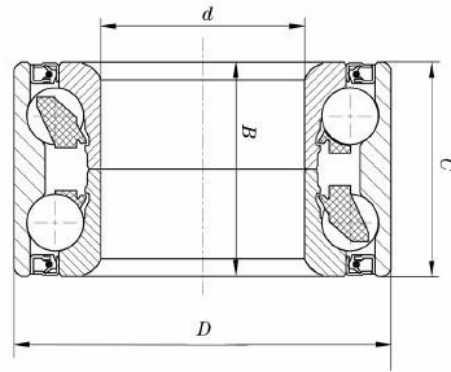


Bearing Number	Dimension (mm)				Weight (kg)	Corresponding to the model		
	d	D	B	C		SKF	FAG	KOYO
DAC367600292/27	36	76	29.2	27	0.58	440190C		
DAC37680045	37	68	45	45	0.72			
DAC37720033S	37	72	33	33	0.58	BAH0051B		(GB40547)
DAC37720537-M	37	72.05	37	37	0.6	BAH0055AAX		
DAC37720033-M	37	72	33	33	0.54	BAH0072AB		
DAC37720037	37	72	37	37	0.59		TGB40547	(GB12807.S03)
DAC37720237	37	72.02	37	37	0.59	BA2B633028	527631	(GB12258)
DAC37720437	37	72.04	37	37	0.59	579794		(GB12131)
DAC37740045	37	74	45	45	0.79	309946AC	541521C	
DAC37700052/45	37	70	52	45	0.7			
DAC38700040	38	70	40	40	0.58			
DAC38710233/30	37.99	71.02	33	30	0.5	(38BWDD09)		DAC3871W-2
DAC38720036/33	38	72	36	33	0.54	(38BWD12)		DAC3872W-3(-8)
DAC38740036/33	38	74	36	33	0.58	(38BWD15)	574795	DAC3874W-6
DAC38700037	38.1	70	37	37	0.52	636193A		
DAC38700038	38	70	38	38	0.55			DAC3870BW
DAC38710039	38	71	39	39	0.62	(38BWDD22)		DAC3871W-3
DAC38720034	38	72	34	34	0.46	(38BWDD04)		DAC3872ACS42
DAC38720040	38	72	40	40	0.63			DAC3872W-10
DAC38730040	38	73	40	40	0.65			DAC3873-W
DAC38730040-M	38	73	40	40	0.67	(38BWD26E1)		
DAC38740040	38	74	40	40	0.68			
DAC38740050	38	74	50	50	0.78	38BWD06	559192	NTNDE0892
DAC38740036	38	74	36	36	0.46			
DAC38790045	38	79	45	45	0.96			
DAC39670037	39	67	37	37	0.46			
DAC39680037	39	68	37	37	0.48	BA2B309692	540733	
DAC39680737	39	68.07	37	37	0.48	309639		

WHEEL HUB BEARING SERIES



DAC TYPE

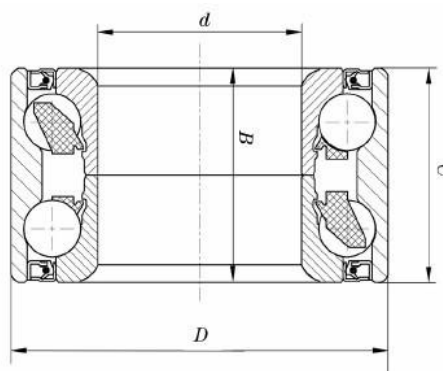


Bearing Number	Dimension (mm)				Weight (kg)	Corresponding to the model		
	d	D	B	C		SKF	FAG	KOYO
DAC39720037	39	72	37	37	0.56	BAHB311396B	542186A	DAC3972AW4
DAC39720437	39	72.04	37	37	0.56	BAH0106DX		
DAC39720637	39	72.06	37	37	0.55			
DAC39740036/34	39	74	36	34	0.62			
DAC39740034	39	74	34	34	0.6			
DAC39740038	39	74	38	38	0.65	636096A		
DAC39740039	39	74	39	39	0.66	BAHB633815A	579557	
DAC39/41750037	39/41	75	37	37	0.62		567447B	
DAC39997208331A10.15	39.99	72.08	33.1	33.1	0.44			
DAC40680042	40	68	42	42	0.51			
DAC40700040	40	70	40	40	0.56			
DAC40720036	40	72	36	36	0.54	BAHD311433B		
DAC40720037	40	72	37	37	0.55		566719	
DAC40720036/33	40	72	36	33	0.54	801663D		DAC4072W-3CS35
DAC40720437	40	72.04	37	37	0.55			
DAC40720637	40	72.06	37	37	0.55			
DAC40730055	40	73	55	55	0.58			
DAC40740036/34	40	74	36	34	0.58			
DAC40740036	40	74	36	36	0.6		AU0817-5	DAC4074CWCS73
DAC407404840A40.80	40	74.048	40	40	0.67			40BWD15
DAC407404840A10.15	40	74.048	40	40	0.67			
DAC40740040	40	74	40	40	0.66	801136	559493	
DAC40740042	40	74	42	42	0.7	40BWD12		
DAC40750037-M	40	75	37	37	0.64	40BWD17		
DAC40750037	40	75	37	37	0.62	BAHB633966	559494	
DAC40750039-M	40	75	39	39	0.69		40BWD17D	
DAC40760033	40	76	33	33	0.55		555800	
DAC40760033/28	40	76	33	28	0.54	474743	539166AB	

WHEEL HUB BEARING SERIES



DAC TYPE

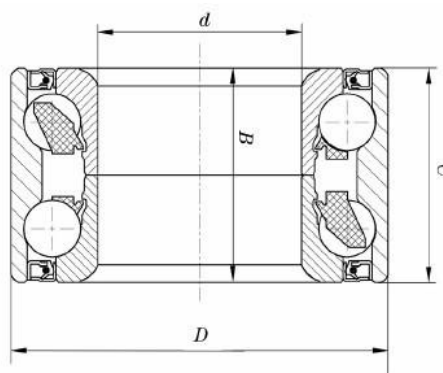


Bearing Number	Dimension (mm)				Weight (kg)	Corresponding to the model		
	d	D	B	C		SKF	FAG	KOYO
DAC40760036	40	76	36	36	0.55			
DAC40760041/38	40	76	41	38	0.66		40BWD05	DAC406412RS
DAC40800302	40	80	30.2	30.2	0.65	440320H	565636	
DAC40800036/34	40	80	36	34	0.7			DAC4080M1
DAC40800381	40	80	38.1	38.1	0.75		534682B	
DAC40820040	40	82	40	40	0.8			
DAC40840034	40	84	34	34	0.94			
DAC40840038	40	84	38	38	0.96	GB40250		
DAC40800040	40	80	40	40	0.83			
DAC408406387/397-M	40	84.06	38.7	39.7	0.95			XGB40492S01P
DAC40842538	40	84.025	38	38	0.97	GB40250S01		
DAC40900046	40	90	46	46	0.92			(PT40900046)
DAC401080032/17	40	108	32	17	1.2	BA2B445533		(TGB10872S02)
DAC42720038/35	42	72	38	35	0.54			
DAC42720038	42	72	38	38	0.66			
DAC42750037	42	75	37	37	0.59	309245	545495D	
DAC42720037	42	72	37	37	0.6			
DAC42750045	42	75	45	45	0.63			
DAC42760033	42	76	33	33	0.56		555801	
DAC42760037	42	76	37	37	0.62			
DAC42760038/35	42	76	38	38	0.58	(42BWD06)		(IR8650)
DAC42760039	42	76	39	39	0.62		579102	
DAC42760040/37	42	76	40	37	0.64	909042	547059A	DAC427640 2RSF
DAC42760037/35	42	76	37	35	0.56			
DAC42780038	42	78	38	38	0.65			DAC4278A 2RSF
DAC42780040	42	78	40	40	0.66			
DAC42780045-M	42	78	45	45	0.7			

WHEEL HUB BEARING SERIES



DAC TYPE

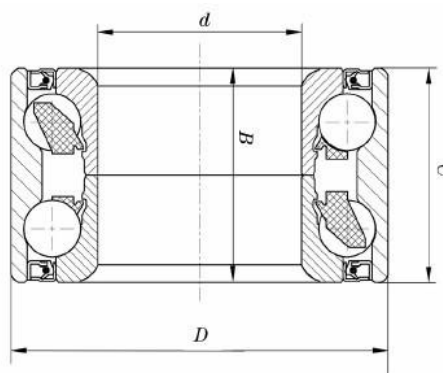


Bearing Number	Dimension (mm)				Weight (kg)	Corresponding to the model		
	d	D	B	C		SKF	FAG	KOYO
DAC42800042	42	80	42	42	0.8			
DAC42780045	42	78	45	45	0.68			
DAC42780038	42	78	38	38	0.64	42BWD09		42BW09
DAC42800036/34	42	80	36	34	0.7	BAH0117		
DAC42800037	42	80	37	37	0.79	BAHB633770		
DAC42800045	42	80	45	45	0.85			DAC4280W-2CS40
DAC42800342	42	80.03	42	42	0.81	BA2B309609AD	527243C	DAC4280B 2RS
DAC42820036	42	82	36	36	0.77	BA2B446047	561481	(GB12163 S04)
DAC42820036-ZZ-M	42	82	36	36	0.78	BAH0186		
DAC42820037	42	82	37	37	0.77		565636	(GB12269)
DAC42840034	42	84	34	34	0.75			
DAC42840036	42	84	36	36	0.88	BA2B444090A	564727	(GB10857 S02)
DAC42840037	42	84	37	37	0.91			
DAC42840039	42	84/84.0 3	39	39	0.93	440090	543359B	(GB10702 S02)
DAC42842538	42	84.25	38	38	0.93			
DAC43720044/27	43	72	44	27	0.75			
DAC43760043	43	76	43	43	0.66	(43BWD12A)		
DAC43770042/38	43	77	42	38	0.64			
DAC43780044-RSZ-M	43	78	44	44	0.79			
DAC43790041/38	43	79	41	38	0.84			DAC4379-1
DAC43790045	43	79	45	45	0.81			
DAC43800038	43	80	38	38	0.8			
DAC43800050/45	43	80	50	45	0.95	(43BWD03)		DAC4380A
DAC43820045	43	82	45	45	0.9	(43BWD06)		DAC4382W-3CS79
DAC43/45820037	43/45	82	37	37	0.76	BAHB633814A	567519A	
DAC43/45850037	43/45	85	37	37	0.8			

WHEEL HUB BEARING SERIES



DAC TYPE

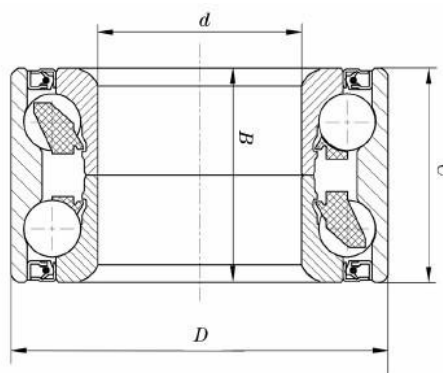


Bearing Number	Dimension (mm)				Weight (kg)	Corresponding to the model		
	d	D	B	C		SKF	FAG	KOYO
DAC43997208331A10.15	43.99	72.08	33.1	33.1	0.47			
DAC448250037	44	82.5	37	37	0.76			(GB40246S07)
DAC45850023	45	85	23	23	0.54		4209ATN9	
DAC45750027/15	45	75	27	15	0.48			
DAC45750023/15	45	75	23	15	0.47			
DAC45800045	45	80	45	45	0.95		564725AB	
DAC45800045/44	45	80	45	44	0.95			
DAC45800048	45	80	48	48	0.99			
DAC45830044	45	83	44	44	0.9			
DAC45830045	45	83	45	45	0.92			
DAC45840038	45	84	38	38	0.87			
DAC45840039	45	84	39	39	0.88			
DAC45840041/39	45	84	41	39	0.9	(45BWD03)	309797	
DAC45840042/40	45	84	42	40	0.9			DAC4584DW
DAC45840042/40-2RS-M	45	84	42	40	0.86	(45BWD07)		
DAC45840042	45	84	42	42	0.9	(45BWD12J1)		
DAC45840042/40	45	84	42	40	0.87			
DAC45840045	45	84	45	45	0.93		44300S84A02	
DAC458500302	45	85	30.2	30.2	0.83			
DAC45850041	45	85	41	41	0.9			DAC2004
DAC45850051	45	85	51	51	1			
DAC45850047	45	85	47	47	1			
DAC45860039	45	86	39	39	0.93			
DAC45870041/39	45	87	41	39	0.95			
DAC45880045	45	88	45	45	1.15			
DAC45880239	45	88.02	39	39	0.98			
DAC47810053	47	81	53	53	0.98			
DAC47850045	47	85	45	45	0.98		559431	

WHEEL HUB BEARING SERIES



DAC TYPE



Bearing Number	Dimension (mm)				Weight (kg)	Corresponding to the model		
	d	D	B	C		SKF	FAG	KOYO
DAC45870041/39-M	45	87	41	39	0.98			
DAC48820037/33	48	82	37	33	0.82			
DAC49840039	49	84	39	39	0.93			
DAC49840048	49	84	48	48	0.98			
DAC49880046	49	88	46	46	0.95		572506	
DAC504818833/28	50.379	81.883	33	28	0.78			
DAC50820033/28	50	82	33	28	0.78			
DAC50900034	50	90	34	34	0.83	633007C	528514	
DAC50900040	50	90	40	40	0.98			
DAC55900060	55	90	60	60	0.99			
DAC51910044	51	91	44	44	0.83			
DAC52910040	52	91	40	40	0.8			

Note: If you have special requirements, such as exceeding the rotation speed limit, please inform us and we will provide customized design and production.

Please contact our sales department for any items not included in the catalogue.



Any requirements please contact:

Vankv Wuxi Mechanical Equipment Co., LTD.

Address: North of Xunqiao Bridge, Liangxi District,
Wuxi City, Jiangsu Province, China

E-mail: Sales@vankv.com

Mobile: +86 13771187050



Or our International Trade Office:

Jiangsu SOHO Honggang Technology Co., LTD.

Address: 7-1 Rongxiang Block, Binhu District, Wuxi
City, Jiangsu Province, China

E-mail: Addo@hgindustries.com

Mobile: +86 13218028009

